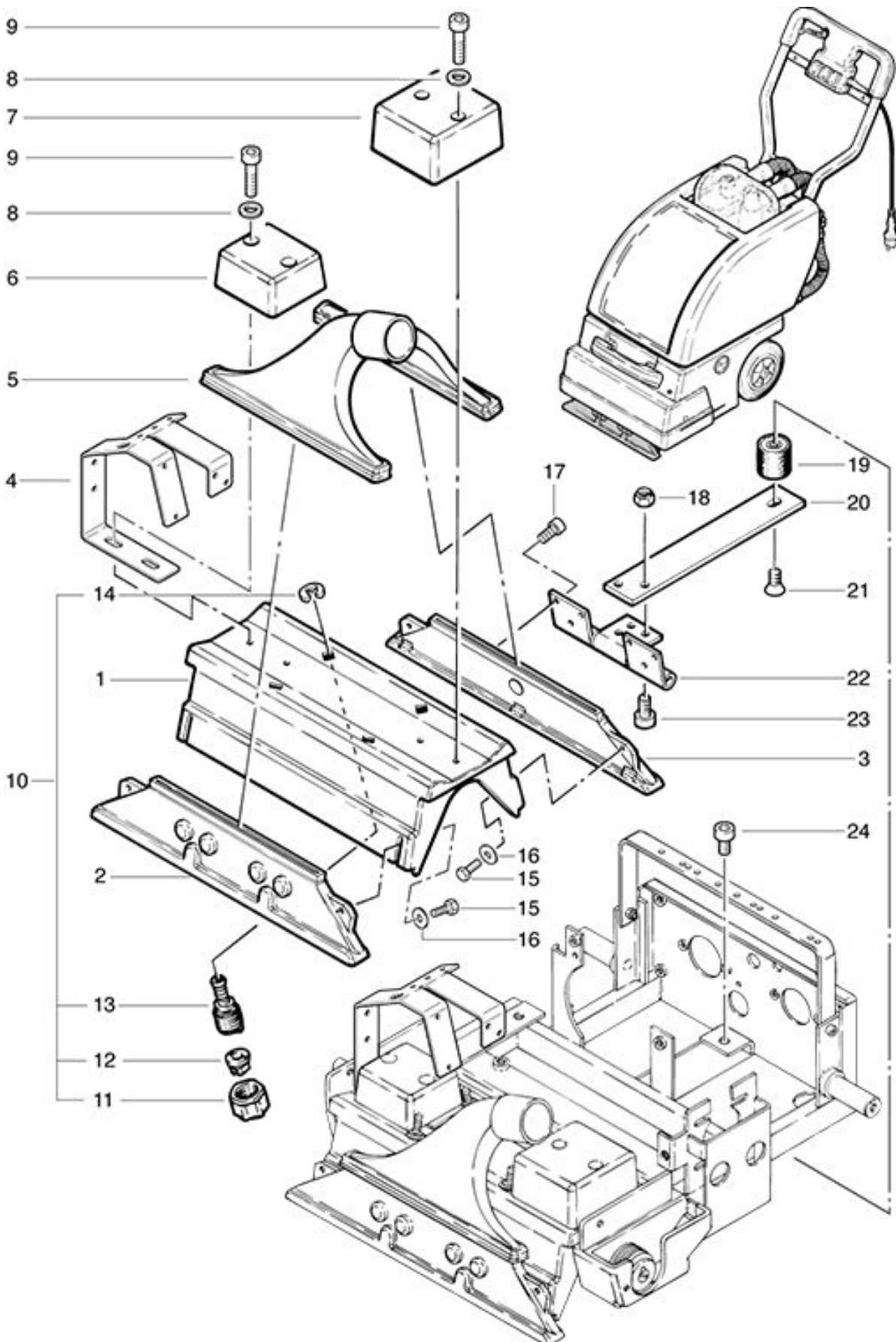


TW Compact Brush housing and nozzles

As at: 03/16/17 Time:14:40



TW Compact

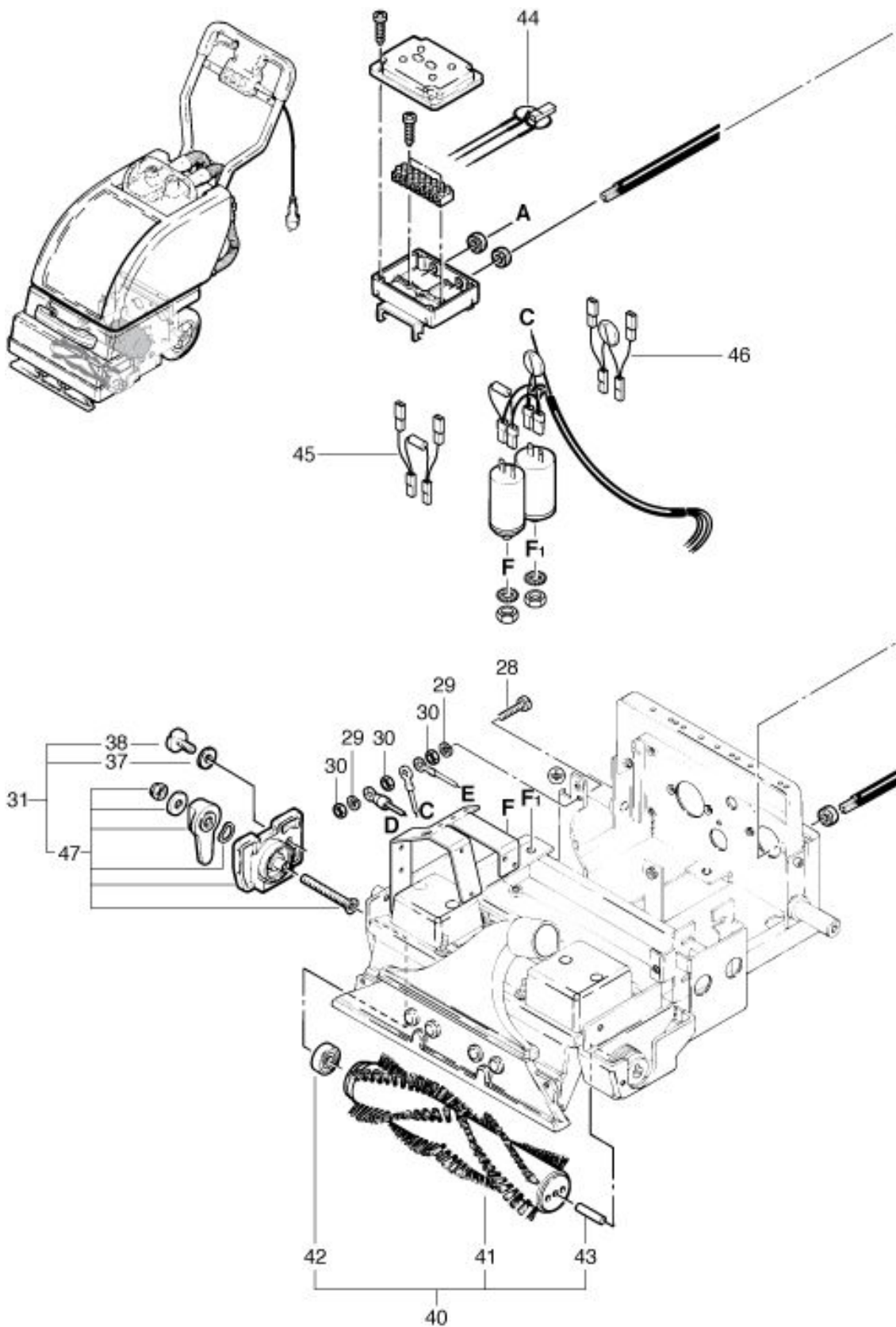
Brush housing and nozzles

As at: 03/16/17 Time:14:40

Pos.	Description	Reference
01	Brush canal	420.510
02	Suction nozzle (front)	420.520
03	Suction nozzle (rear)	420.530
04	Pump holder	420.569
05	Adaptor for suction nozzle	420.560
06	Weight (right)	420.567
07	Weight (left)	420.564
08	Washer M 6	P...496 K
09	Hexagon socket screw M 6x30	P...488 S
10	Spraying nozzle complete including Items 11-14	420.550
11	Cup nut 3/8"	P...602 D
12	Spraying jet	P...627 C
13	Holder for nozzle	P...602 E
14	Security washer	P...499 N
15	Hexagon screw M 5x12	P...472 F
16	Washer M 5	P...497 E
17	Hexagon screw M 5x12	P...488 B
18	Stopp-nut M 6	P...492 K
19	Round buffer	420.393
20	Lever	420.392
21	Countersunk screw M 8x12	P...479 R
22	Hinge	420.391
23	Hexagon screw M 6x16	P...488 P
24	Hexagon screw M 6x16	P...487 A

TW Compact
Brush motor and brush support Pos. 28-47

As at: 03/16/17 Time:14:40



TW Compact

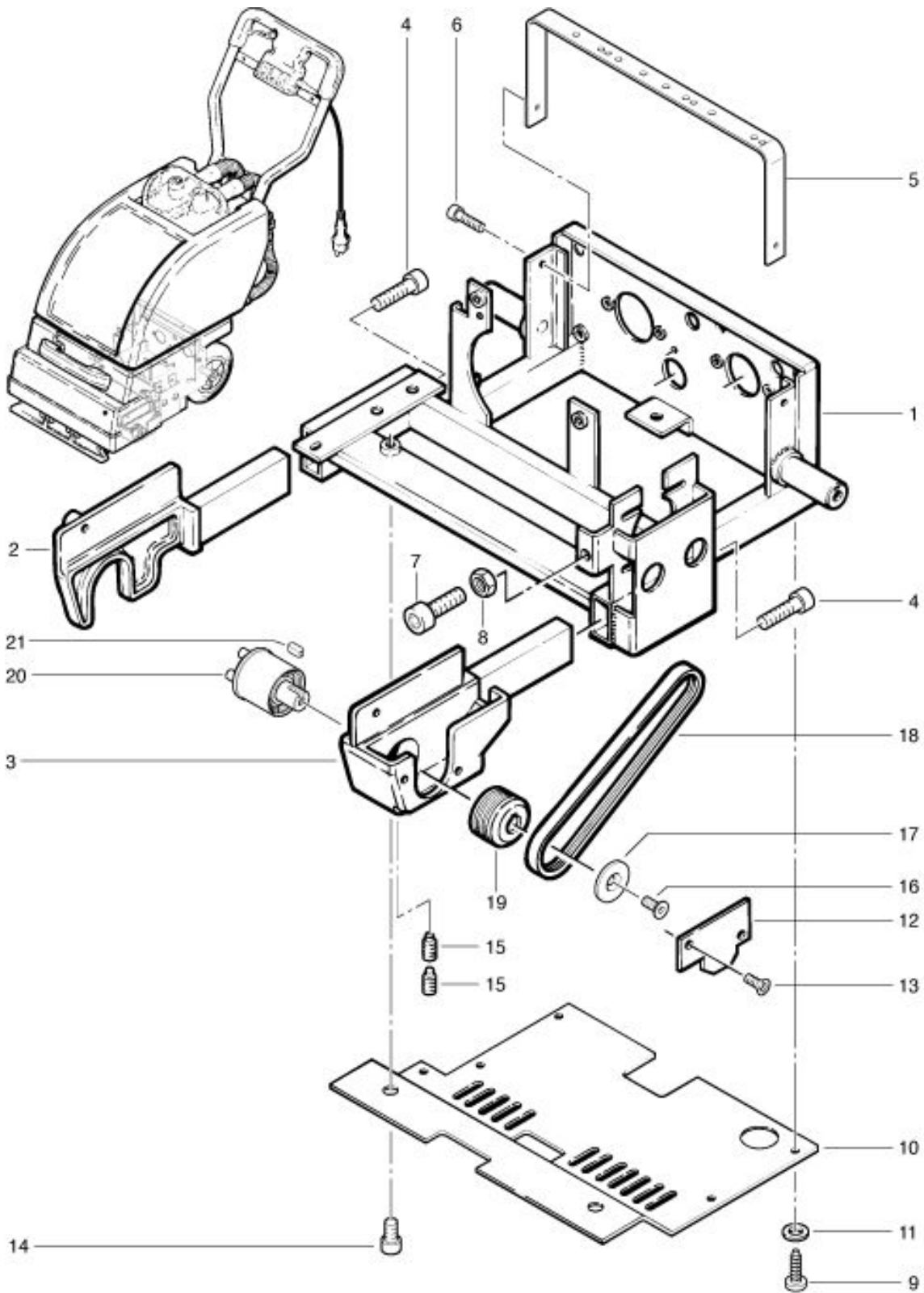
Brush motor and brush support Pos. 28-47

As at: 03/16/17 Time:14:40

Pos.	Description	Reference
28	Cyl. Head screw M 4x20	P...478 L
29	Spring washer M 4	P...498 A
30	Hexagon nut M 4	P...491 Q
31	Brush support complete including: items 37,38+47	420.450
37	Washer M 5	P...497 E
38	Special screw M 18x20	400.475
40	Cylindrical brush, soft compl. including: items 41-43	420.472
41	Standard brush (0,35)	420.473
42	Ball bearing	P...316 D
43	Centrepin Ø 8x28 mm	400.478
44	Varistor EPC05 275 VAC	420.241
45	Resistance 39 kOhm (supplementary part)	420.306 E
46	Varistor 320 V (supplementary part)	420.306 D
47	Brush support compl.	420.460

TW Compact Chassis

As at: 03/16/17 Time:14:40



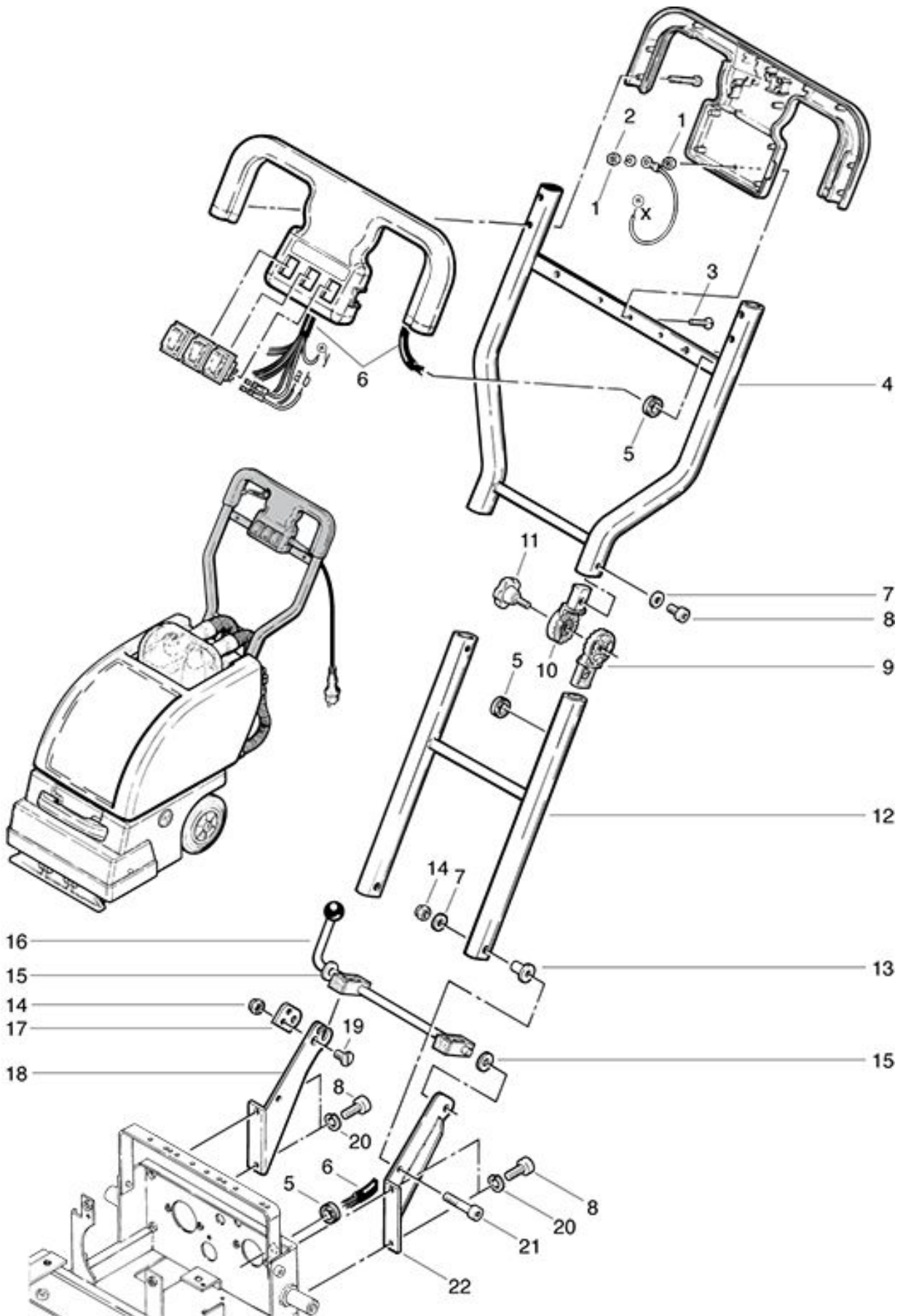
TW Compact Chassis

As at: 03/16/17 Time:14:40

Pos.	Description	Reference
01	Chassis compl.	400.110
02	Right support	400.114
03	Left support	420.112
04	Hexagon socket screw M 6x25	P...486 T
05	Frame	420.352
06	Hexagon socket screw M 4x12	P...486 A
07	Hexagon socket screw M 8x25	P...487 D
08	Hexagon nut M 8	P...490 E
09	Screw 2,9x9,5	P...483 G
10	Bottom plate	400.801
11	Washer M 3	P...497 B
12	Cover	420.118
13	Countersunk screw M 4x8	P...480 C
14	Hexagon socket screw M 8x10	P...487 A
15	Thread pin M 5x5	P...482 Z
16	Countersunk screw M 6x12	P...487 U
17	Attaching washer	P...499
18	Driving belt	420.425
19	Belt pulley	420.401
20	Axe complete	400.405
21	Wedge	400.420

TW Compact
Lower pushbar Pos. 1-22

As at: 03/16/17 Time:14:41



TW Compact

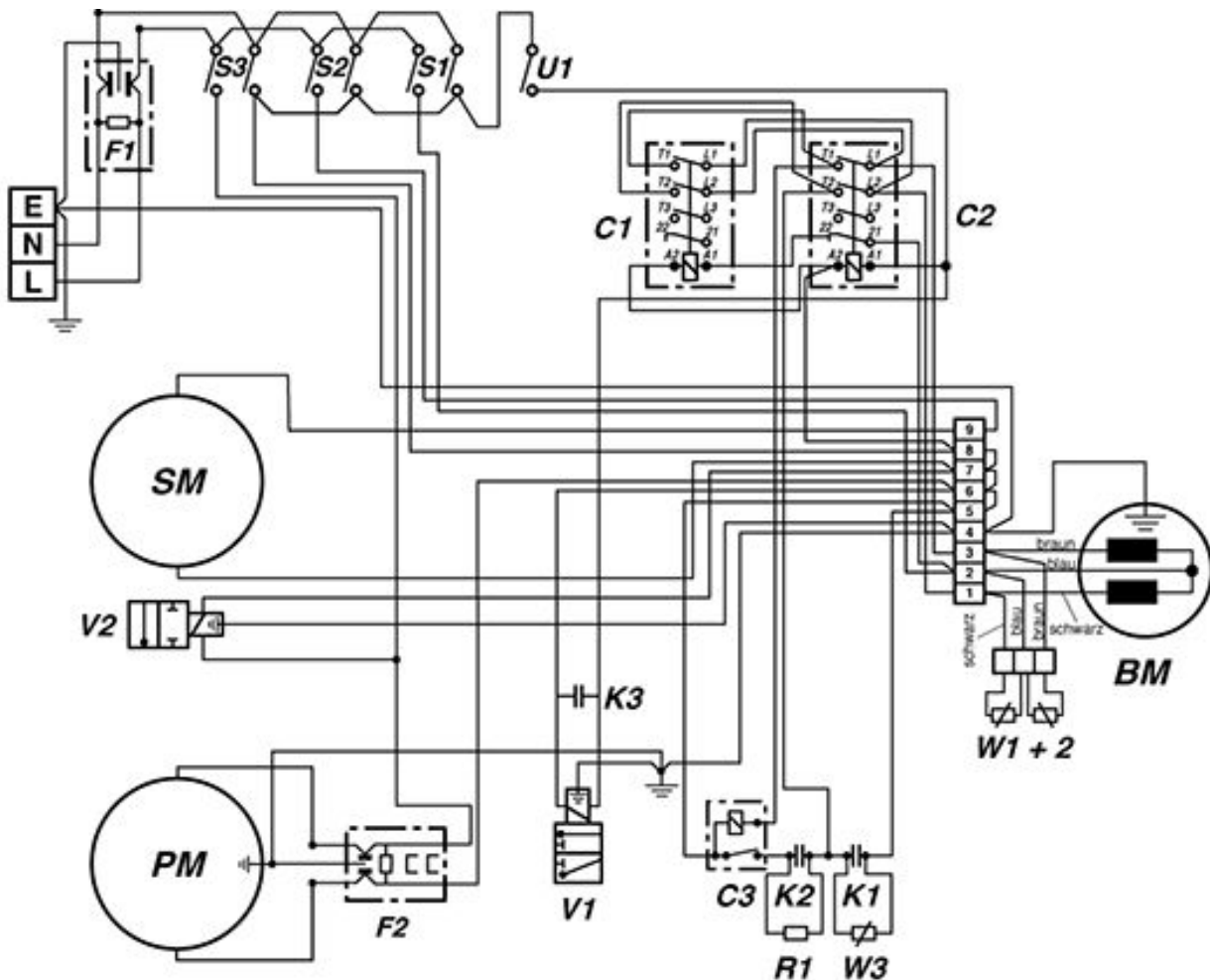
Lower pushbar Pos. 1-22

As at: 03/16/17 Time:14:41

Pos.	Description	Reference
01	Hexagon nut M 4	P...491 Q
02	Spring ring M 4	P...498 A
03	Screw M 4x20	P...481 E
04	Upper pushbar	420.650
05	Rubber clamp	P...408 K
06	Wiring to handle	420.305
07	Washer M 6	P...496 L
08	Hexagon socket screw M 6x12	P...486 Q
09	Lower joint	420.602
10	Upper joint	420.601
11	Screw knob	P...253
12	Lower pushbar	420.651
13	Distance piece dm 22/6,3x22,5	420.370
14	Stopp-nut M 6	P...493 K
15	Washer M 8	P...496 Q
16	Adjustment lever	420.356
17	Metal supporting piece	420.999
18	Lever support (right)	420.351 A
19	Screw M 6x12	P...487 U
20	Spring ring M 6	P...498 U
21	Hexagon screw M 6x35	P...486 S
22	Lever support (left)	420.351

TW Compact Wiring Plan

As at: 03/16/17 Time:14:41



- S1 = Wippenschalter Bürstenmotor / Brush motor switch
- S2 = Wippenschalter Saugmotor / Suction motor switch
- S3 = Wippenschalter Pumpe / Pump switch
- C1 = Leistungsschütz Bürstenmotor / Switch for reversing brush motor
- C2 = Leistungsschütz Bürstenmotor / Switch for reversing brush motor
- C3 = Relais
- K1 = Betriebs-Kondensator 12 uF / Capacitor for working brush motor 12 uF
- K2 = Anlauf-Kondensator 20 uF / Capacitor for starting brush motor 20 uF
- K3 = Kondensator 0,33 uF / Capacitor 0,33 uF
- BM = Bürstenmotor / Brush motor
- PM = Pumpenmotor / Pump
- SM = Saugmotor / Suction motor
- V1 = 3/2 Wege-Ventil / Valve 3/2
- V2 = 2/2 Wege-Ventil / Valve 2/2
- U1 = Steuerschalter Bürstenmotor / Reversing-switch
- F1 = FE-Filter Eingang
- F2 = FE-Filter Pumpe
- W1+2 = Varistor S20 K275
- W3 = Varistor S20 K320
- R1 = Drahtwiderstand 30 kOhm/7W

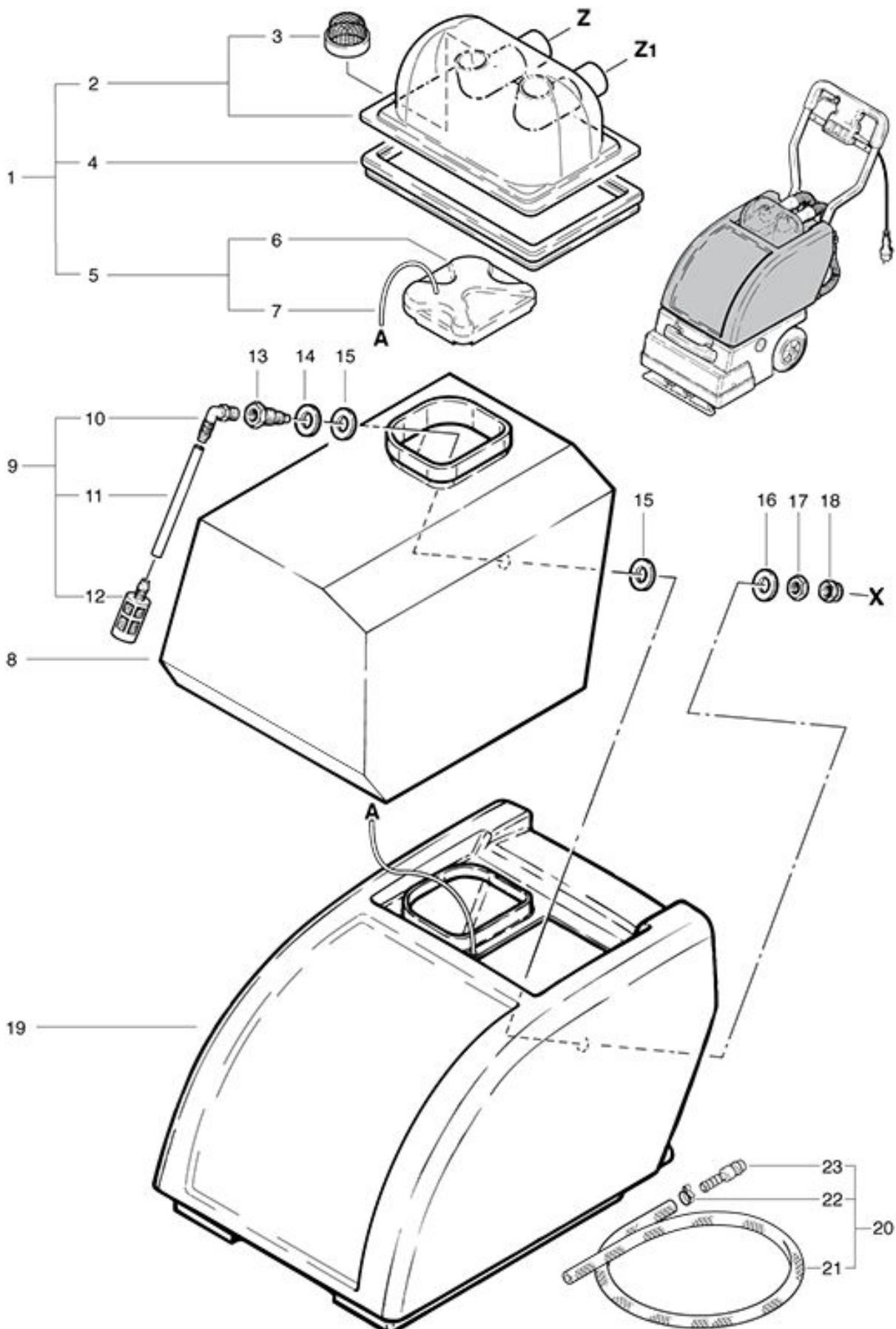
TW Compact Wiring Plan

As at: 03/16/17 Time:14:41

Pos.	Description	Reference
BM	Brush motor	421.281
C1	Power protector for brush motor	P...353
C2	Power protector for brush motor	P...353
C3	Relais	420.331 A
F1		420.333
K1	Capacitor 12 μ F	P...385 B
K2	Starting capacitor 20 μ F	P...385 E
K3	Capacitor 0.33 μ F	P...393 A
PM	Pump	P...821 B
R1	Resistor 30 kOhm/7W	420.306 E
R2	Resistor 5.6 kOhm	421.320
S1	Tumbler switch for brush motor	P...240
S2	Tumbler switch for vacuummotor	P...240
S3	Tumbler switch for pump	P...240
SM	Vacuum motor	420.210 A
U1	Switch for brush motor	P...242
V1	Magnetic valve 3/2 ways	420.276
V2		420.255
W1+2	Varistor EPC05 275 VAC	420.240
W3	Varistor EPC05 320 VAC	420.306 D

TW Compact
Tank cover and fresh water tank

As at: 03/16/17 Time:14:41



TW Compact

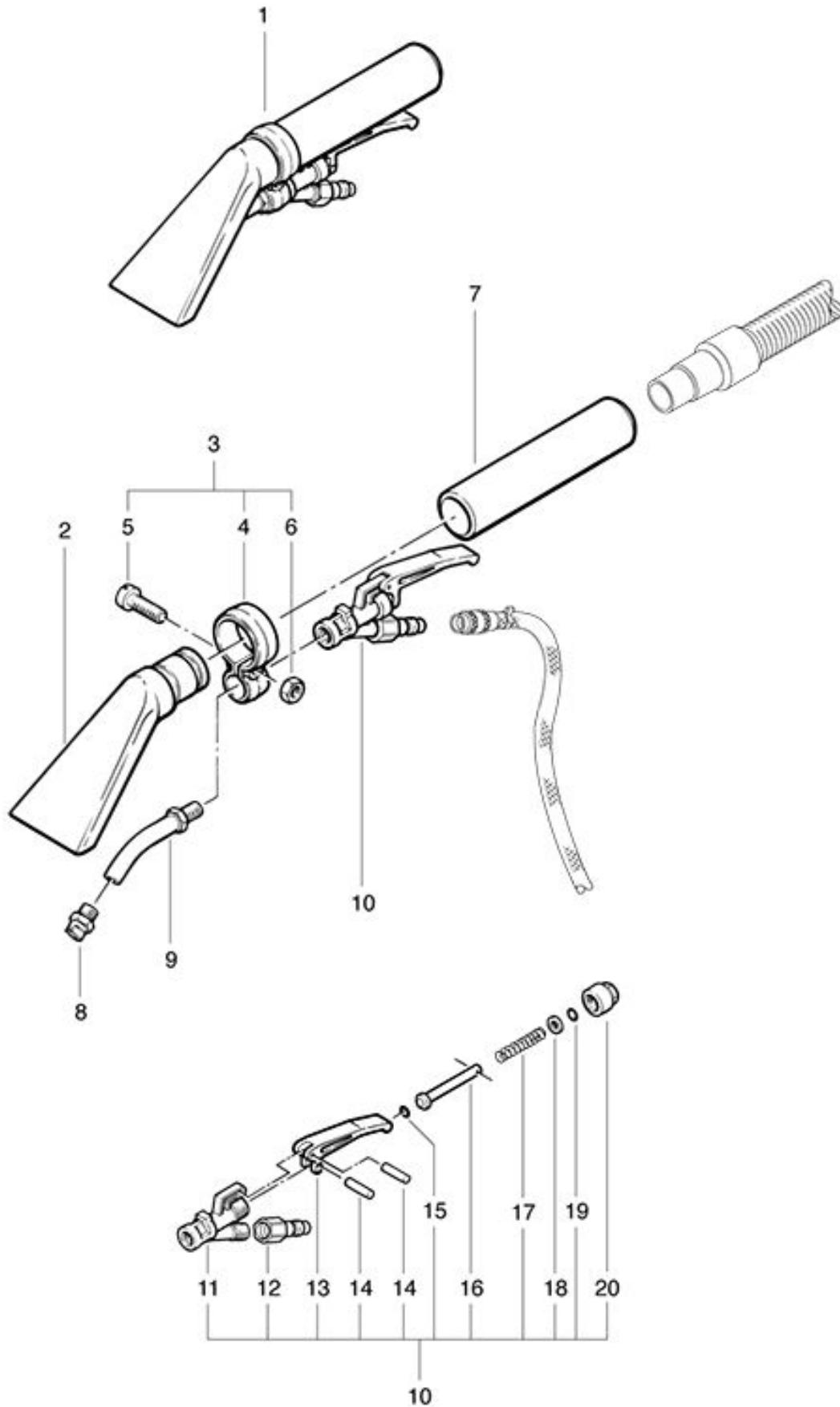
Tank cover and fresh water tank

As at: 03/16/17 Time:14:41

Pos.	Description	Reference
01	Tank cover complete including Items 2-7	400.750
02	Tank cover with filter	400.756
03	Filter	400.766 A
04	Seal for cover	420.723
05	Clean water tank cover cpl. pos. 6+7	530.765
06	Clean water tank cover	530.758
07	Cordle	490.750
08	Fresh water tank	420.722
09	Suction hose complete including Items 10-12	400.725
10	Angled fitting G/R 1/4	P...541 I
11	Suction hose 8/6 x 100	400.261 B
12	Fresh water filter	P...528
13	Fitting SW 22 R 3/8	400.724
14	Washer Ø 35	P...098
15	Seal Ø 35	P...097 B
16	Gasket Ø 30/17x2	P...097
17	Nut G 3/8	P...535 B
18	Sleeved nut	P... 523 G
19	Tank	420.721
20	Fresh water wmtying hose compl. including Items 21-23	411.750
21	Hose	P...566 H
22	Clamp 14,5 mm	P...550 A
23	Male quick connector	P...501 D

TW Compact
Accessoires-Upholstery tool

As at: 03/16/17 Time:14:38



TW Compact

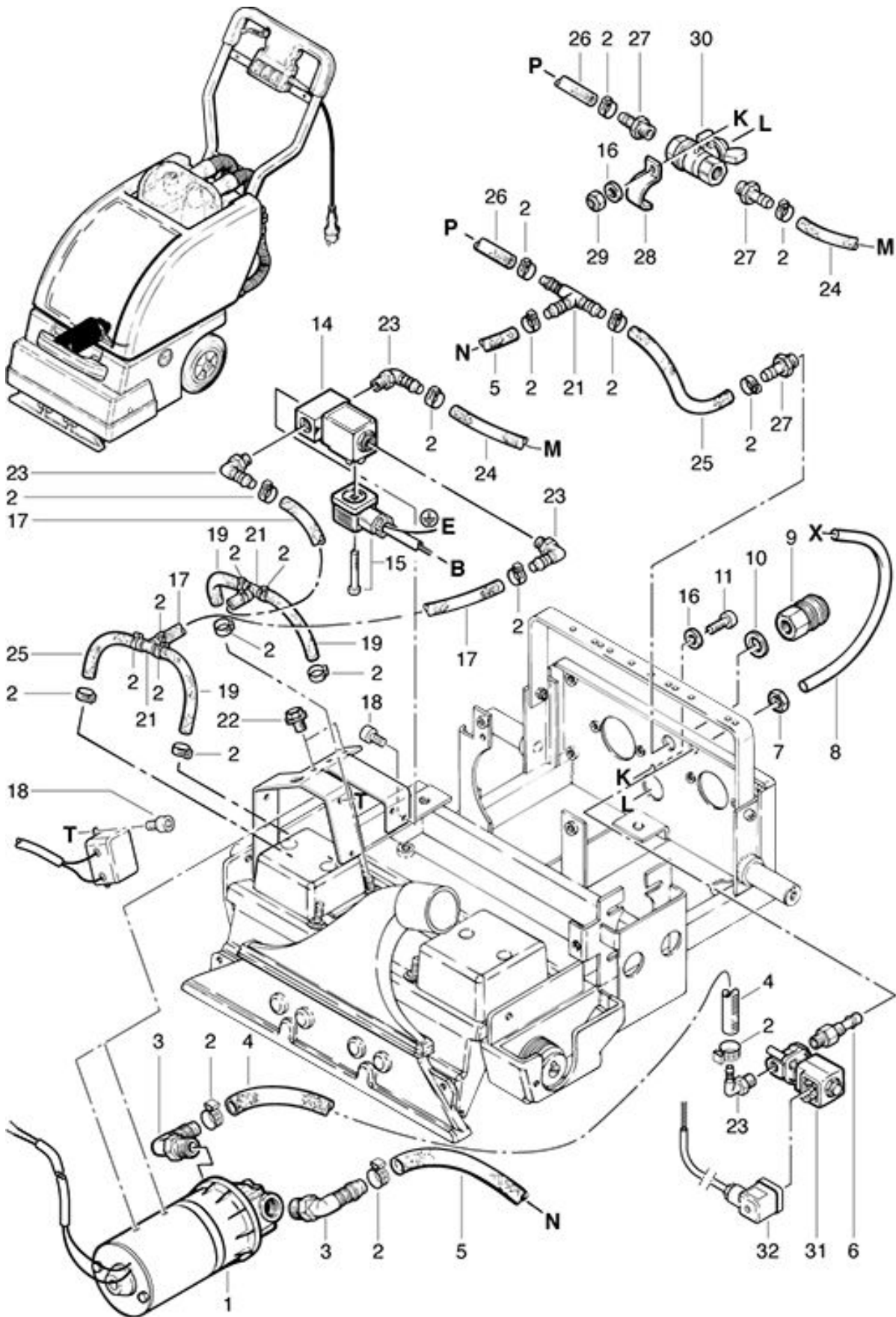
Accessoires-Upholstery tool

As at: 03/16/17 Time:14:38

Pos.	Description	Reference
01	Upholstery tool	617.000
02	Nozzle housing 8 cm	617.623
03	Guide bride complete including items 4-6	P...683
04	Guide bride	P...683 A
05	Cylindrical screw M 5x18	P...683 B
06	Hexagon screw M 5	P...490 C
07	Pipe Ø 33 mm	617.624
08	Jet nozzle 11004	P...627
09	Pipe bend	617.625
10	Spraying valve with fitting including Items 11-20	P...680
11	Valve body	P...680 A
12	Tapped nipple 1/4"	P...501 B
13	Lever	P...681 C
14	Cyl. Pin Ø 1,5x14,5 mm	P...681 K
15	O-ring Ø 5,23 mm	P...681 F
16	Valve pin	P...681 D
17	Valve spring	P...681 E
18	Washer M 5	P...497 G
19	O-ring Ø 5 mm	P...681 G
20	Cap nut	P...681 B

TW Compact
Pump assembling and hoses

As at: 03/16/17 Time:14:42



TW Compact

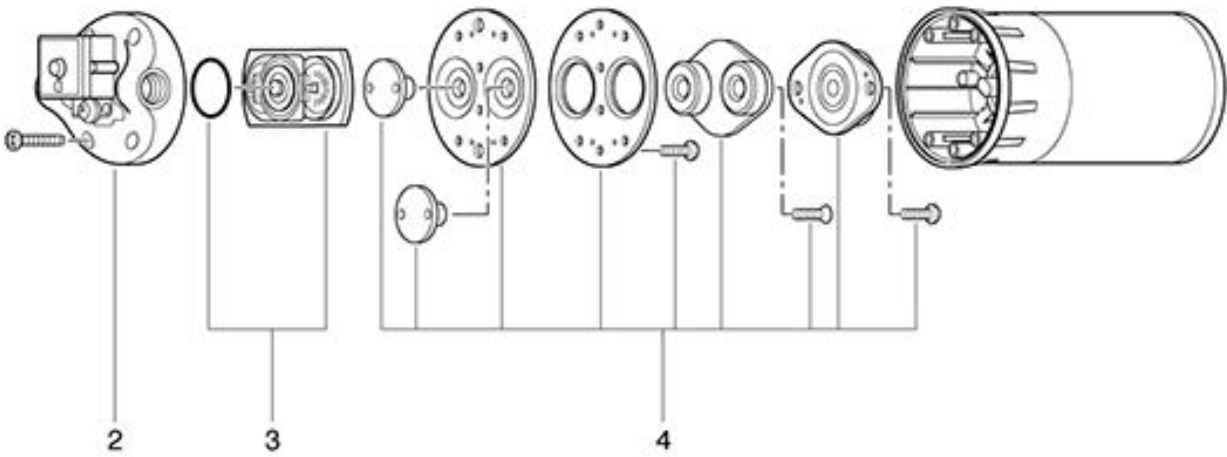
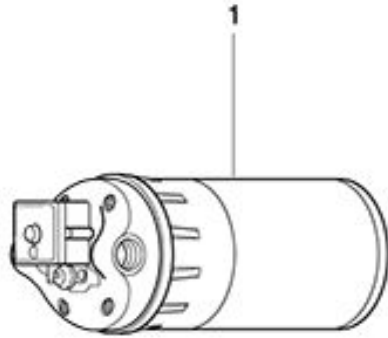
Pump assembling and hoses

As at: 03/16/17 Time:14:42

Pos.	Description	Reference
01	Flojet-Pump	P...821 B
02	Clamp 14,5 mm	P...550 A
03	Angled nipple 8-3/8"	P...541 M
04	Pressure hose 12/6x400 mm	420.261
05	Pressure hose 12/6x200 mm	420.269
06	Straight nipple	440.343
07	Hexagon nut G 1/8"	P...535 I
08	Connection hose	420.725
09	Female quick connector 1/4" IG	P...500 A
10	Washer 14/24x2 mm	P...260
11	Hexagon socket screw M 5x12	P...488 B
14	Magnetic valve 3/3 ways	420.276
15	Cable for magnetic valve	420.309
16	Washer M 5	P...497 E
17	Hose 12/6x300 mm	420.261 A
18	Hexagon socket screw M 5x8	P...488 E
19	Hose 12/6x140 mm	420.341
21	Connection piece TS 8	P...544 D
22	Taptite-screw	P...484 R
23	Angled nipple 8-1/8"	P...541 G
24	Hose 12/6x650 mm	420.262 A
25	Hose 12/6x110 mm	420.343
26	Hose 12/6x200 mm	420.269
27	Male connector NW 8-1/4" AG	P...524 F
28	Bracket	450.336 A
29	Stop nut M 5	P...493 G
30	Ball tap	P...508 B
31	Magnetic valve 2/2 ways	420.255
32	Cable for magnetic valve	550.257

TW Compact Pump

As at: 03/16/17 Time:14:42



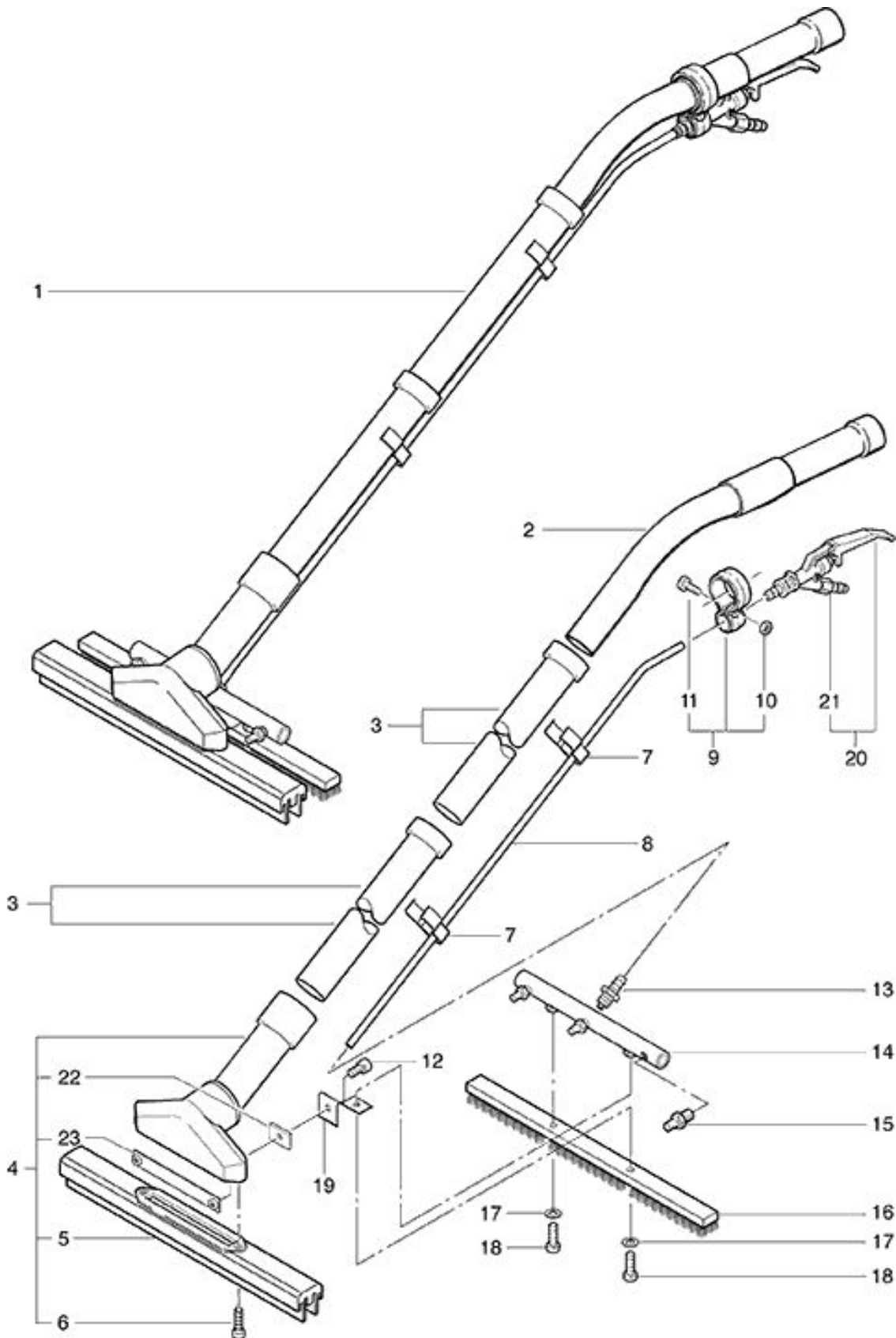
TW Compact Pump

As at: 03/16/17 Time:14:42

Pos.	Description	Reference
01	Flojet-pump 230 V with filter compl.	P...821 B
02	Upper Housing Kit with Bypass	P...821 C
03	Check valve Kit	P...821 D
04	Cam / Diaphragm Kit	P...821 E

TW Compact
Accessoires-Hard floor attachment

As at: 03/16/17 Time:14:36



TW Compact

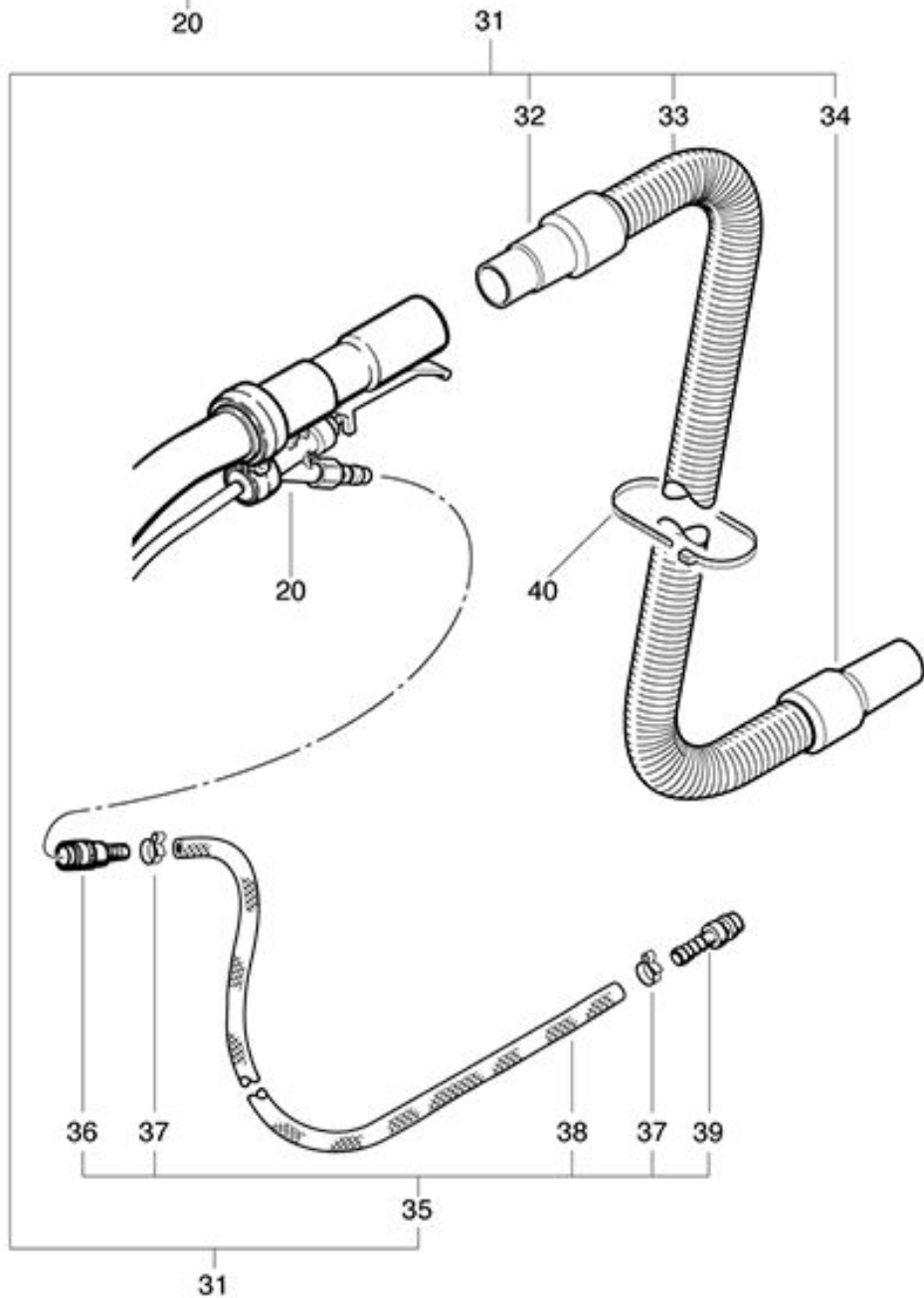
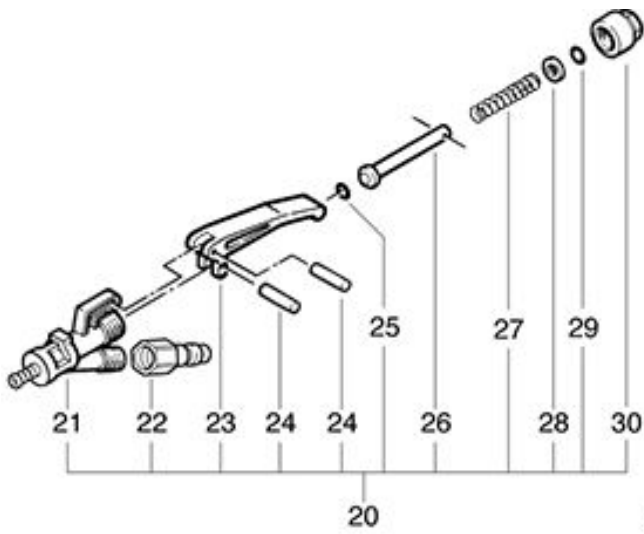
Accessoires-Hard floor attachment

As at: 03/16/17 Time:14:36

Pos.	Description	Reference
01	Hard floor attachment compl.	632.000
02	Tube	P...581 D
03	Stainless steal tube	645.002 A
04	Suction nozzle assy. including item 6, 22 and 23	632.001
05	Back-up rubber compl.	P...633
06	screw DIN 7981 C 4,8 x 19 A2	P...483 O
07	Triffer mounting braket	P...568
08	Tuyau NW 6x1100	632.003
09	Guide bride complete	P...683
10	Hexagon nut M 5	P...490 C
11	Cylindrical screw M 5x18	P...683 B
12	Cylindrical screw M 6x16	P...488 P
13	Nipple with backfiring valve	P...524 R
14	Pipe bend	P...631
15	Spraying jet	P...640 A
16	Brush border	P...636
17	Washer M 6	P...497 K
18	Cylindrical screw M 6x16	P...477 R
19	Hose clip	632.006
20	Spray valve compl.	P...684
21	Hose connector compl.	P...501 B
22	underlay	632.005
23	retaining plate	632.002

TW Compact
Accessories-Spray and suction hose

As at: 03/16/17 Time:14:39



TW Compact

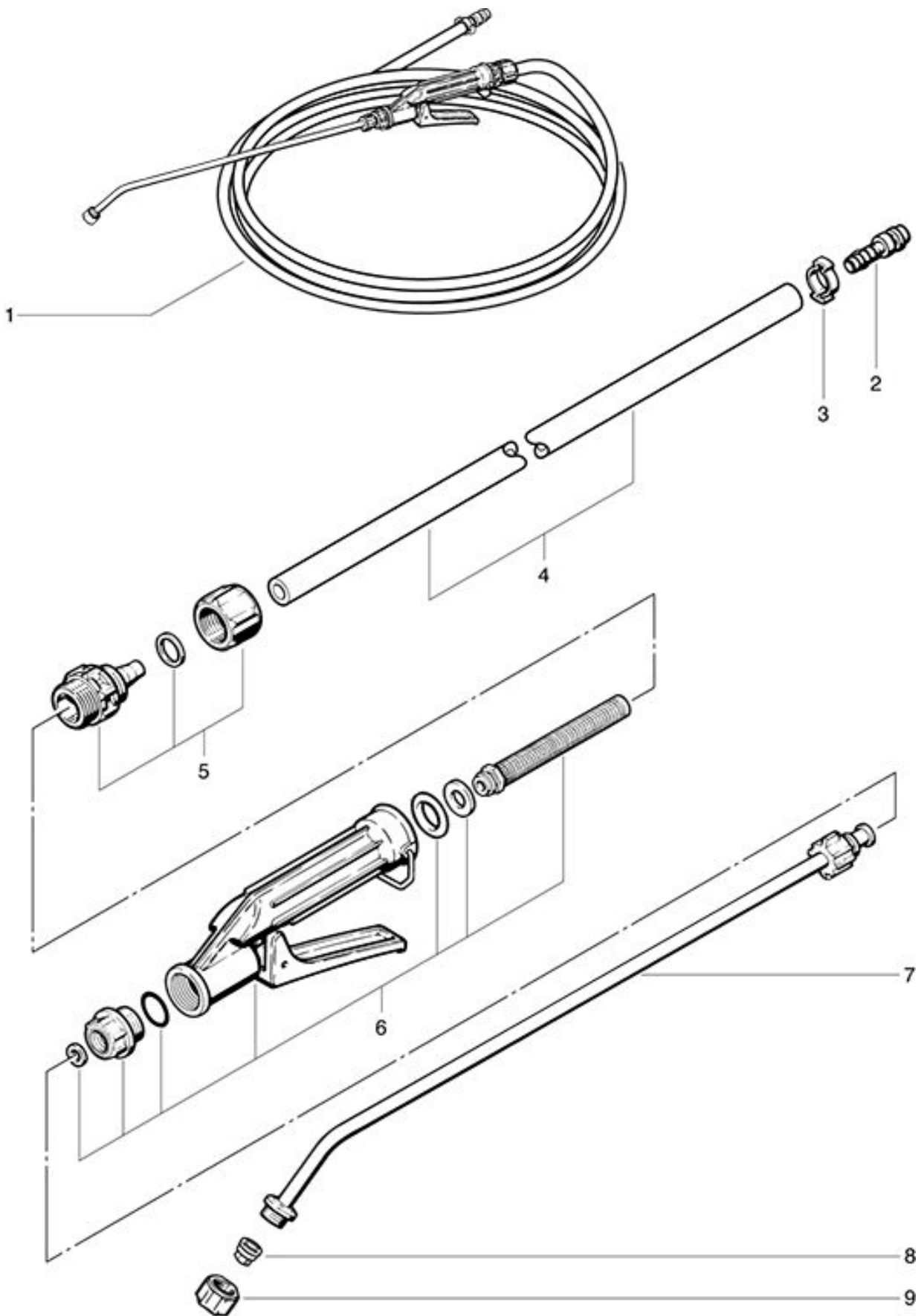
Accessories-Spray and suction hose

As at: 03/16/17 Time:14:39

Pos.	Description	Reference
20	Spraying valve cpl. with fitting including items 21-30	P...681
21	Valve body	P...681 A
22	Tapped nipple 1/4"	P...501 B
23	Lever	P...681 C
24	Cyl. Pin Ø 1,5x14,5 mm	P...681 K
25	O-ring Ø 5,23 mm	P...681 F
26	Valve pin	P...681 D
27	Valve spring	P...681 E
28	Washer M 5	P...497 G
29	O-ring Ø 5 mm	P...681 G
30	Cap nut	P...681 B
31	Spray and suction hose cpl. including Items 32-40	420.011
32	Hose end connector 32 mm	P...575
33	Suction hose with fixation ring	420.012
34	Hose end connector 32 mm	P...575 B
35	Pressure hose complete including Items 36-39	420.013
36	Female quick connector	900.165
37	Clamp 13,5 mm	P...550 I
38	Pressure hose Ø 6/12x5200 mm	420.015
39	Male quick connector	P...501 D
40	Cable tie	P...609

TW Compact
Accessoires-Spray nozzle with hose

As at: 03/16/17 Time:14:37



TW Compact

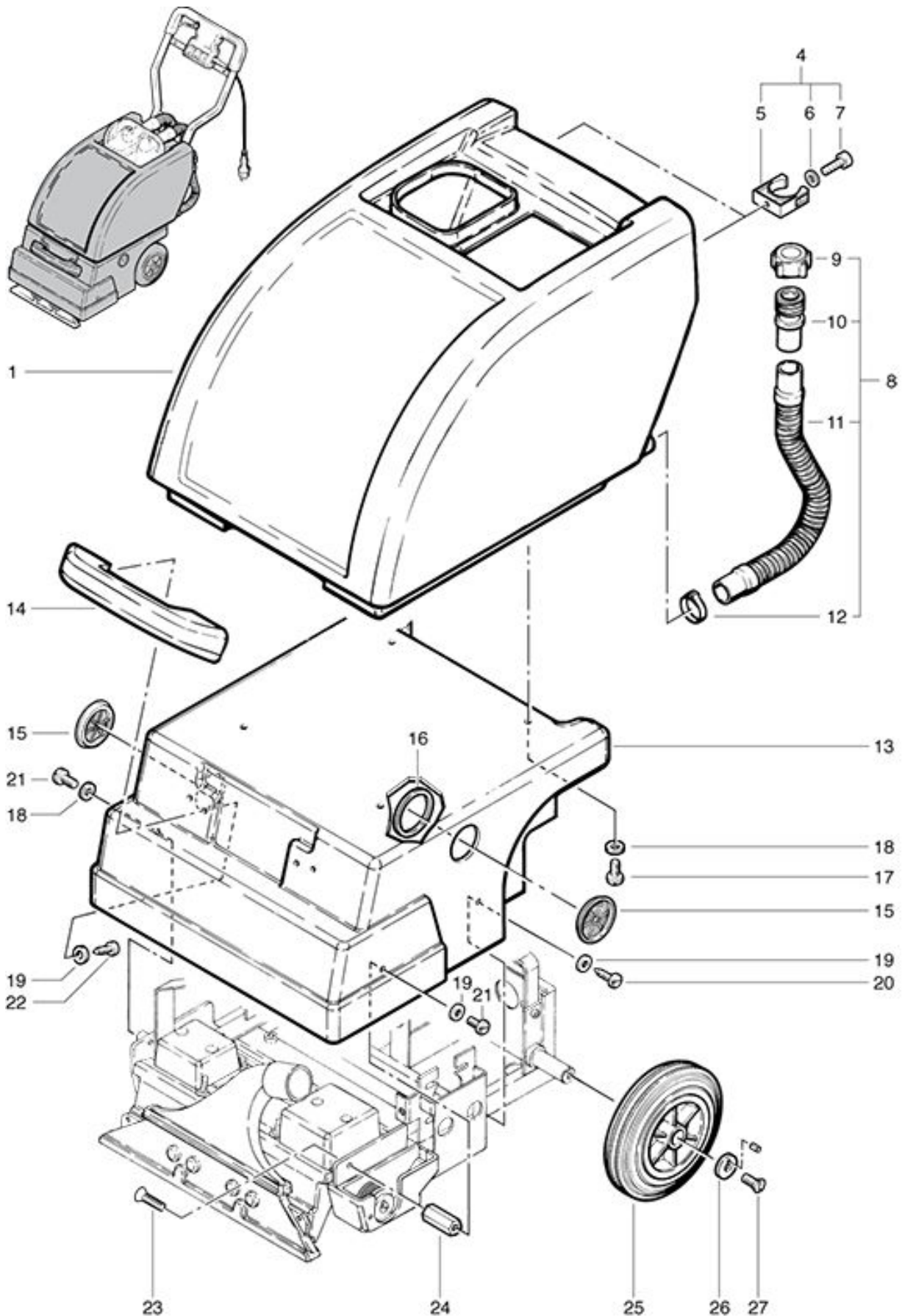
Accessoires-Spray nozzle with hose

As at: 03/16/17 Time:14:37

Pos.	Description	Reference
01	Spray nozzle with hose	660.000
02	Male connector	P...501 C
03	Clamp 17.0-706R	P...550 C
04	Hose HD, 10 M	110.560 C
05	Cup nut compl.	660.130
06	Spraying valve compl.	660.110
07	Spray nozzle	660.120
08	Jet nozzle 8004	P...640 B
09	Cup nut 3/8"	P...602 D

TW Compact Tank and chassis cover

As at: 03/16/17 Time:14:43



TW Compact

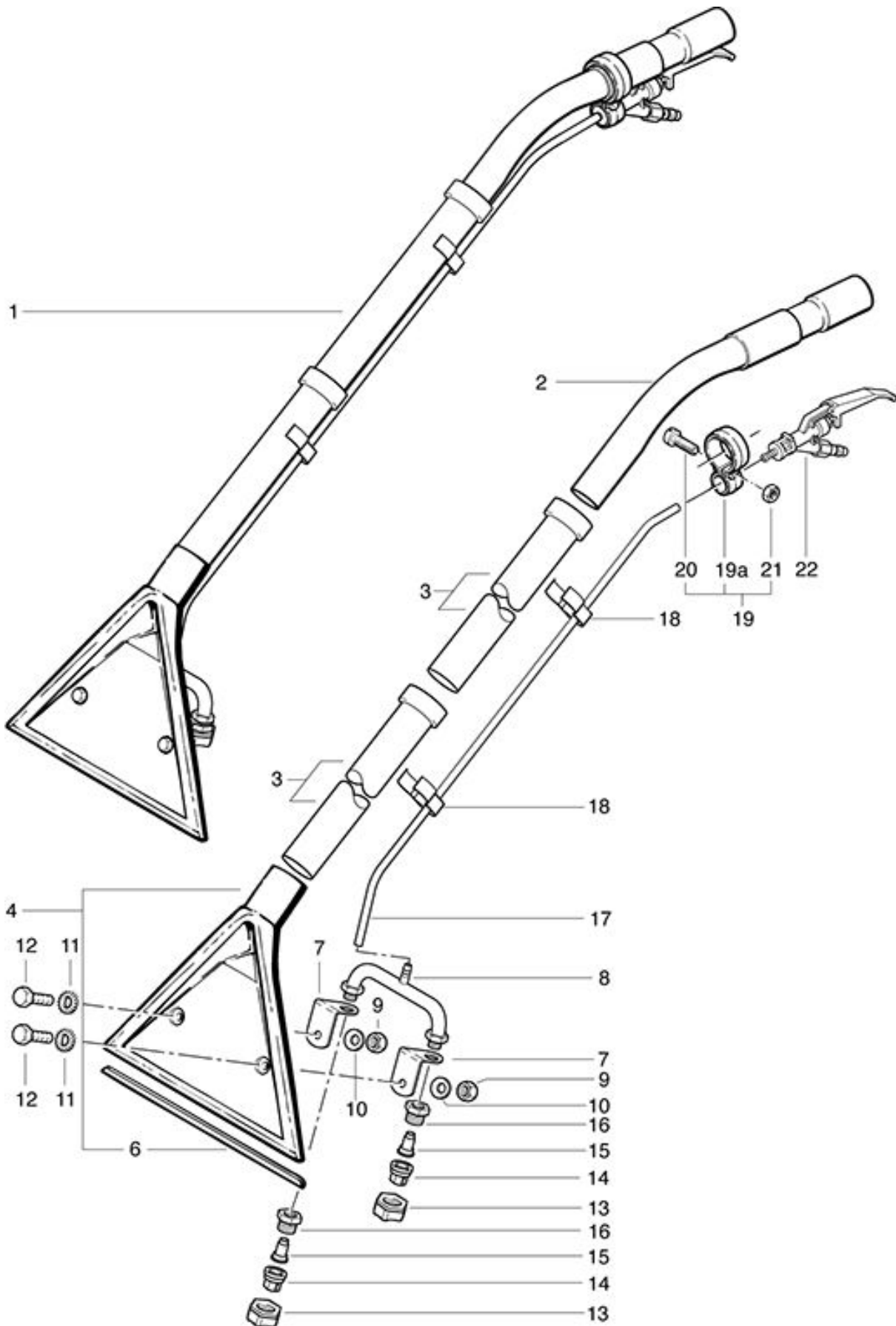
Tank and chassis cover

As at: 03/16/17 Time:14:43

Pos.	Description	Reference
01	Tank	420.721
04	Hose support complete including Items 5-7	400.445
05	Hose support	P...109 A
06	Washer M 5	P...497 G
07	Hexagon socket srew M 5x12	P...488 B
08	Discharge hose complete including Items 9-12	480.740
09	Hose socket cap	500.410
10	Hose socket	500.409 A
11	Discharge hose 330 mm	480.741
12	Hose clamp Ø 36,5-39,6	P...553 R
13	Chassis cover	420.711
14	Handle	077.560
15	Handle	P...030 L
16	Attaching ring	400.713
17	Pan head screw M 6x12	P...475 T
18	Washer M 6	P...496 L
19	Washer M 5	P...497 G
20	Hose socket cap 4,8x13	P...482 L
21	Srew M 6x12	P...475 T
22	PT-srew KA 50x18	P...516 Q
23	Countersunk screw M 5x10	P...480 B
24	Distance piece	420.111
25	Wheel 200x53	500.250
26	Attaching washer Ø 30x3	P...499
27	Countersunk screw M 6x12	P...487 U

TW Compact
Accessoires-Carpet tool, 2-nozzles

As at: 03/16/17 Time:14:35



TW Compact

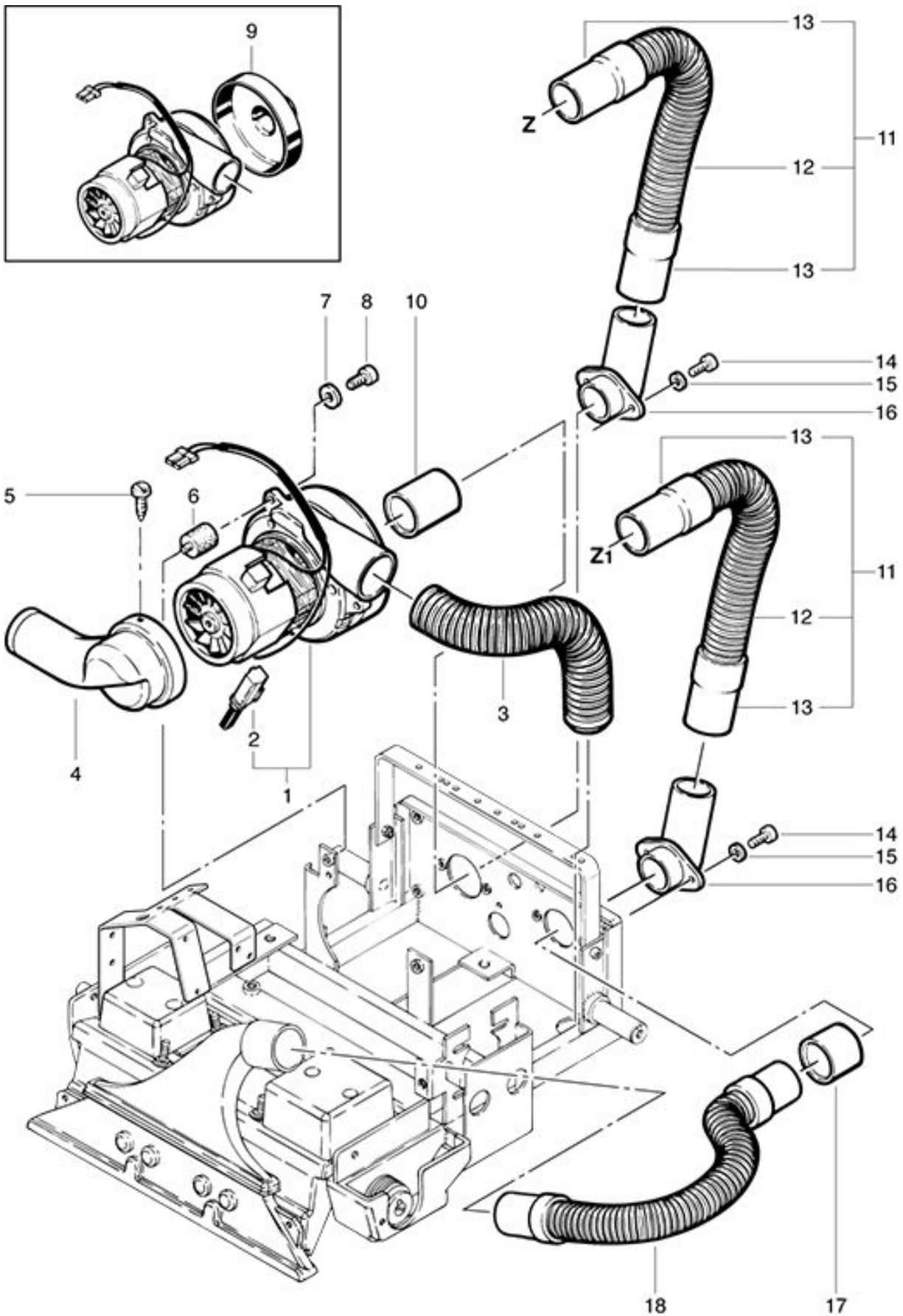
Accessoires-Carpet tool, 2-nozzles

As at: 03/16/17 Time:14:35

Pos.	Description	Reference
01	Carpet tool complete, including items 2-22	602.000.1
02	Stainless steel handle Ø 32 mm	P...581 D
03	Stainless steel tube	645.002 A
04	Suction nozzle complete including items 6	602.550
06	Sliding blade	P...617
07	Mounting bracket for jet ass.	602.611 F
08	Double pipe bend	602.110
09	Hexagon nut M 6	P...491 E
10	Washer 6,4 x 12,5	P...499 H
11	Serrated lock washer M 6	P...499 D
12	screw DIN 933 M6 x 20 A2	P...472 T
13	Cap nut 3/8" POM	P...602 D
14	Spraying jet 11004	P...627 D
15	Flashback nozzle	P...607 E
16	Reducer 3/8"	P...535 P
17	PUR Spraying hose 6/8 x 1200mm	P...666
18	Hose clamp 38/12	P...670
19	Guide bride complete including: items 19a-21	P...683
19a	Guide bride	P...683 A
20	Cylindrical screw M 5x18	P...683 B
21	Hexagon nut M 5	P...490 C
22	Valve complete	P...681

TW Compact
Suction motor and hoses

As at: 03/16/17 Time:14:43



TW Compact

Suction motor and hoses

As at: 03/16/17 Time:14:43

Pos.	Description	Reference
01	Suction motor	420.210
02	Pair of carbon brushes	P...870 KH
03	Noise absorbing hose	400.227
04	Tube for motor cooling	420.361
05	Screw 2,9x6,5	P...483 H
06	Round buffer Ø 20x15 mm M 6	400.214
07	Washer M 6	P...496 L
08	Screw M 6x16 as from machine no. 9017.001	P...486 R
08	Hexagon socket screw M 6x12 up to machine no. 9016	P...486 Q
09	Hose connection cap	500.445
10	Connection piece	420.212
11	Complete hose including Items 12+13	411.770
12	Hose 40/33x310	411.772
13	Socket NW 32	P...575 B
14	Hexagon socket screw M 4x12	P...486 A
15	Washer M 4	P...496 C
16	Connection piece	420.220
17	Socket 45/37,5x47 mm	400.224
18	Suction hose	500.408 A